



Price Book

June 2006

A luminum Doors & Storefront Systems

Doors & Frames, Extrusions, Hardware, Vinyl & Accessories

Distributor of

VISTAWALL
ARCHITECTURAL PRODUCTS

A luminum Doors & Storefront Systems

Doors & Frames, Extrusions, Hardware, Vinyl & Accessories



What does Craftsman have to offer? . .

Craftsman Architectural Systems is a fabricator/distributor for Vistawall Architectural Products. Craftsman stocks standard entrance packages, and specially fabricates custom packages, to Vistawall specifications. Narrow, medium, and wide stile doors are constructed with .125" thick extruded aluminum profiles which are mechanically fastened and welded to corner blocks with backup plates. Custom options include a variety of top and bottom rails and muntin-bars.

A variety of systems are available to meet a broad range of project requirements, including storefront Series 1000, 2000 & 3000 Standard Flush Glaze Systems, fixed window (Merit Window) systems and low-rise wall applications. Structural load capability, air resistance, water resistance and thermal performance vary among systems, but Craftsman can help you determine what system best meets your particular application requirements. With energy code emphasis growing across the United States, options such as the Series 3000-S Thermally Improved System, for insulated glass, provides for effective Solar Heat Gain resistance and affordability. When cost and time are critical on a project, Craftsman's entrances and standard systems are the ideal solution.

Other Vistawall products available through Craftsman include: Moduline Window Systems, Naturalite Skylight Systems and Skywall Translucent Systems. Craftsman's ability to single-source aluminum systems and entrances, brake metal, glass, sealants, fasteners and anchors... and all tools (including battery operated Makita tools)... creates great value and convenience for the design and construction professional. All of these products are available to you through Craftsman Architectural Systems.

. . . Everything!



A luminum Doors & Storefront Systems

Doors & Frames, Extrusions, Hardware, Vinyl & Accessories

Terms & Conditions

All orders are subject to the terms and conditions described below. Any exceptions to these must be presented in writing before any fabrication begins, and must be approved by the credit department and division manager before the order can be processed and put into production.

- ♦ **Quotations:** Written quotations are valid for customer acceptance and order placement for a period of 60 days after the date of the quote unless otherwise stated on the quotation form.
- ♦ **Pricing:** Unless specified as a Net Price, all prices listed in this catalog are List Prices subject to discount. All prices and discounts are subject to change without notice. In the event of a price increase or decrease, orders will be processed at the prices in effect when they were placed. Craftsman will honor quoted prices on all orders placed within the 60-day validity period despite any price increase.
- ♦ **Credit Terms:** Credit Terms are stated as 1% 10 Days, Net 30 Days for all customers who qualify. Credit will not be extended for any order unless a credit application has been approved before the time of shipment. All orders from new customers, or customers without prior credit terms, will be processed as C.O.D. at the time of order. *The average leadtime for credit approval is two weeks but is not guaranteed.* Some jobs may require a deposit even if the account has net terms.
- ♦ **C.O.D. Terms:** Some jobs may require a deposit before the order will be put into production, and payment of the balance before the job will be released. Shipments by common carrier will be shipped collect on delivery.
- ♦ **Shipment Hold:** Accounts with balances that are 60 or more days past due may be subject to hold status until payment is made or satisfactory arrangements to make the account current are made and approved with the credit department. Orders currently in production when a balance comes to 60 days past due will not be released for shipment until the balance is cleared and the credit department releases the order.
- ♦ **Job Basis Terms:** Job basis orders will be subject to the same terms as open account orders, that is 1% 10 Days, Net 30. The job basis agreement is a vehicle for expanding a customer's credit line on a per job basis, and is used to keep the customer's account open for smaller, quick-turn orders. *It is not a vehicle for extended payment terms.*
- ♦ **Products:** Craftsman's continuing endeavor to provide the best in product technology requires that it retain the right to change or modify its products and fabrication procedures without prior notice.
- ♦ **Taxes & Freight Charges:** Listed prices and quotes do not include applicable taxes and freight charges unless specifically stated.
- ♦ **Illustrations:** The illustrations used within this catalog are intended for identification purposes only and do not represent size or proportions by comparison.
- ♦ **Returned Merchandise:** We will not accept any returned merchandise unless previously authorized in writing. Material returned will be subject to our regular inspection and, if found suitable for resale without reconditioning or rework, credit will be issued for the amount invoiced less a handling charge of 25% net cost or \$25.00, whichever is greater. Credit will not be issued for goods failing to pass our inspection (except in the event of factory defect), for goods produced to order (including all special finish items), or for goods returned more than 30 days after the date on the return authorization.
- ♦ **Back Charges:** Back charges for late orders or field labor due to material or dimensional discrepancies will not be accepted without prior approval from Craftsman.

A luminum Doors & Storefront Systems

Doors & Frames, Extrusions, Hardware, Vinyl & Accessories





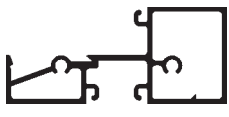
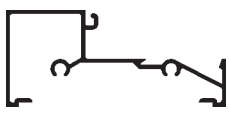
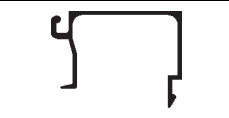




Table of Contents

Flush Glaze System Framing Members	
Series 1000	Page 1
Series 2000	Page 3
Series 3000	Page 5
Angle, Tubes & Stop	Page 7
Division Bar	Page 8
Sash & Accessories	Page 9
Door Ordering Information	Page 11
Stock Narrow Stile Entrances	Page 13
Series 2000 (1-3/4" x 4-1/2") Frames	Page 15
Series 3000 (2" x 4-1/2") Frames	Page 16
Custom Entrances	Page 19
ADA Compliance Specifications	Page 20
Door Hardware & Accessories	Page 21
Commercial Sliding Windows	Page 27

Series 1000

Vistawall Flush Glaze Framing Members • 1-3/4" x 4" System for 1/4" Glazing

PART DRAWING	PART DESCRIPTION	PART NUMBER	STOCK LENGTH	FINISH	LIST PRICE
	1-3/4" x 4" Open Back Mullion/Jamb (without screw splines)	FG 1100	24'	Clear	\$ 156
				Bronze	\$ 189
	1-3/4" x 4" Heavy Open Back Mullion/Jamb	FG 1101	24'	Clear	\$ 197
				Bronze	\$ 229
	Open Back Pocket Filler	FG 1102	24'	Clear	\$ 89
				Bronze	\$ 106
	1-3/4" x 4" Open Back Head/Mullion (with screw splines)	FG 1103	24'	Clear	\$ 175
				Bronze	\$ 211
	1-3/4" x 4" Intermediate Horizontal (with screw splines)	FG 1104	24'	Clear	\$ 215
				Bronze	\$ 248
	1-3/4" x 4" Open Back Sill/Horizontal (with screw splines)	FG 1105	24'	Clear	\$ 148
				Bronze	\$ 181
	1-3/4" x 4" Glass Stop (for 1/4" Glazing)	FG 1106	24'	Clear	\$ 53
				Bronze	\$ 67
	1-3/4" x 4" Expansion Mullion/Jamb (requires FG 1109)	FG 1108	24'	Clear	\$ 156
				Bronze	\$ 184
	1-3/4" x 4" Expansion Mullion (requires FG 1108)	FG 1109	24'	Clear	\$ 168
				Bronze	\$ 197

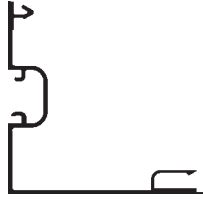
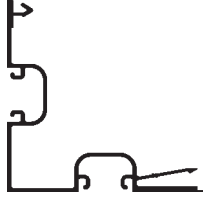
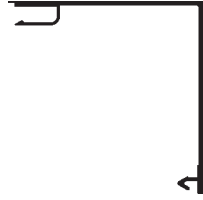




A luminum Doors & Storefront Systems

Doors & Frames, Extrusions, Hardware, Vinyl & Accessories



Series 1000










Vistawall Flush Glaze Framing Members • 1-3/4" x 4" System for 1/4" Glazing

PART DRAWING	PART DESCRIPTION	PART NUMBER	STOCK LENGTH	FINISH	LIST PRICE
	4" x 4" Self Mating 180° Post	FG 1110	24'	Clear	\$ 214
				Bronze	\$ 252
	4" x 4" 90° Corner Post (mates with FG 1112)	FG 1111	24'	Clear	\$ 256
				Bronze	\$ 302
	4" x 4" Self Mating Flat Corner Post (mates with FG 1110 & FG 1111)	FG 1112	24'	Clear	\$ 217
				Bronze	\$ 254
	1/2" x 1-5/8" Snap-in Door Stop with Weathering	FG1120	21'5"	Clear	\$ 67
				Bronze	\$ 81
	Flat Pocket Filler	FG 1122	24'	Clear	\$ 60
				Bronze	\$ 73
	Sub-sill	FG 1135	24'	Clear	\$ 87
				Bronze	\$ 104
	Snap-in Filler for 1/4" Glazing Pocket	FG 1190	24'	Clear	\$ 24
				Bronze	\$ 33

• Prices subject to change without notice. •

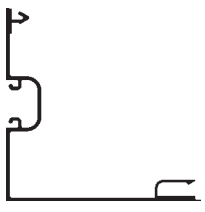
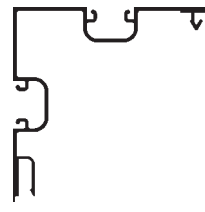
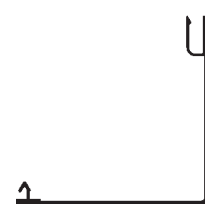


Series 2000

Vistawall Flush Glaze Framing Members • 1-3/4" x 4-1/2" System for 1/4" Glazing

PART DRAWING	PART DESCRIPTION	PART NUMBER	STOCK LENGTH	FINISH	LIST PRICE
	1-3/4" x 4-1/2" Open Back Mullion/Jamb (without screw splines)	FG 2100	24'	Clear	\$ 150
				Bronze	\$ 185
	1-3/4" x 4-1/2" Heavy Open Back Mullion/Jamb	FG 2101	24'	Clear	\$ 206
				Bronze	\$ 240
	Horizontal Mullion/Filler	FG 2102	24'	Clear	\$ 87
				Bronze	\$ 108
	1-3/4" x 4-1/2" Open Back Head/Mullion (with screw splines)	FG 2103	24'	Clear	\$ 175
				Bronze	\$ 214
	1-3/4" x 4-1/2" Intermediate Horizontal (with screw splines)	FG 2104	24'	Clear	\$ 214
				Bronze	\$ 249
	1-3/4" x 4-1/2" Open Back Sill/Horizontal (with screw splines)	FG 2105	24'	Clear	\$ 158
				Bronze	\$ 194
	1-3/4" x 4-1/2" Glass Stop (for 1/4" Glazing)	FG 2106	24'	Clear	\$ 56
				Bronze	\$ 71
	1-3/4" x 4-1/2" Expansion Mullion/Jamb (requires FG 2109)	FG 2108	24'	Clear	\$ 170
				Bronze	\$ 201
	1-3/4" x 4-1/2" Expansion Mullion (requires FG 2108)	FG 2109	24'	Clear	\$ 178
				Bronze	\$ 209



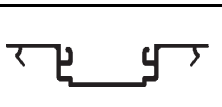

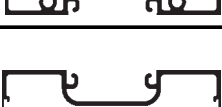

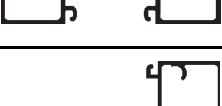


Series 2000

Vistawall Flush Glaze Framing Members • 1-3/4" x 4-1/2" System for 1/4" Glazing

PART DRAWING	PART DESCRIPTION	PART NUMBER	STOCK LENGTH	FINISH	LIST PRICE
	4-1/2" x 4-1/2" Self Mating 180° Post	FG 2110	24'	Clear	\$ 232
				Bronze	\$ 274
	4-1/2" x 4-1/2" Double Pocket 90° Corner Post (mates with FG-2112)	FG 2111	24'	Clear	\$ 271
				Bronze	\$ 320
	4-1/2" x 4-1/2" Self Mating Flat Corner Post	FG 2112	24'	Clear	\$ 236
				Bronze	\$ 278
	1/2" x 1-5/8" Snap-in Door Stop with Weathering	FG 2120	21'5"	Clear	\$ 62
				Bronze	\$ 74
	Flat Open Back Filler	FG 2122	24'	Clear	\$ 63
				Bronze	\$ 78

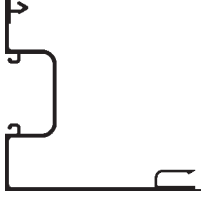
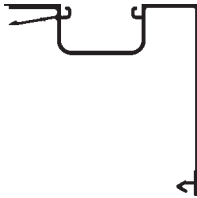




Series 3000

Vistawall Flush Glaze Framing Members • 2" x 4-1/2" System for 1" Glazing








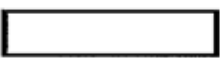
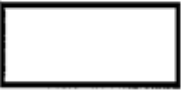
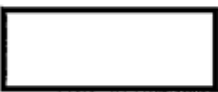

PART DRAWING	PART DESCRIPTION	PART NUMBER	STOCK LENGTH	FINISH	LIST PRICE
	2" x 4-1/2" Open Back Mullion/Jamb (without screw splines)	FG 3100	24'	Clear	\$ 194
				Bronze	\$ 231
	2" x 4-1/2" Heavy Duty Open Back Mullion/Jamb (without screw splines)	FG 3101	24'	Clear	\$ 316
				Bronze	\$ 356
	2" x 4-1/2" Open Back Pocket Filler	FG 3102	24'	Clear	\$ 90
				Bronze	\$ 108
	2" x 4-1/2" Open Back Head/Mullion (with screw splines)	FG 3103	24'	Clear	\$ 197
				Bronze	\$ 235
	2" x 4-1/2" Expansion Mullion/Jamb (requires FG 3109)	FG 3108	24'	Clear	\$ 175
				Bronze	\$ 207
	2" x 4-1/2" Expansion Mullion (requires FG 3108)	FG 3109	24'	Clear	\$ 215
				Bronze	\$ 252
	2" x 4-1/2" Intermediate Horizontal (with screw splines)	FG 3142	24'	Clear	\$ 245
				Bronze	\$ 278
	1" Glass Stop Pocket Filler for FG 3142 & FG 3161	FG 3144	24'	Clear	\$ 60
				Bronze	\$ 75
	2" x 4-1/2" Open Back Sill/Horizontal (with screw splines)	FG 3161	24'	Clear	\$ 168
				Bronze	\$ 201

Series 3000






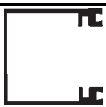

Vistawall Flush Glaze Framing Members • 2" x 4-1/2" System for 1" Glazing

PART DRAWING	PART DESCRIPTION	PART NUMBER	STOCK LENGTH	FINISH	LIST PRICE
	4-1/2" x 4-1/2" 90° Corner for Self Mating 180° Post (for 1" Glass)	FG 3110	24'	Clear	\$ 255
				Bronze	\$ 299
	4-1/2" x 4-1/2" 90° Split Corner (for 1" Glass)	FG 3111	24'	Clear	\$ 255
				Bronze	\$ 299
	Snap-in Pocket Filler (for 1" Glazing Pocket)	FG 3126	24'	Clear	\$ 35
				Bronze	\$ 43
	Pocket reducer for 1/4" glass	FG 3194	24'	Clear	\$ 42
				Bronze	\$ 52
	1/2" x 1-5/8" Door Stop with weathering (use SC-1 clip)	DS-1	24'	Clear	\$ 62
				Bronze	\$ 79
	Spring Clip for DS-1 Door Stop	SC-1	25/Box	mill	\$ 8




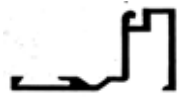

Angles, Channel, Tubes & Stop

PART DRAWING	PART DESCRIPTION	PART NUMBER	LENGTH PCS/BOX	FINISH	LIST PRICE
	1/2" x 1-1/2" Bar Stock	BA-3	21'3"	Clear	\$ 129
				Bronze	\$ 136
	3/4" x 3/4" Angle .125	AN-1	21'3"	Clear	\$ 32
				Bronze	\$ 40
	1" x 1" Angle .125	AN-2	21'3"	Clear	\$ 44
				Bronze	\$ 55
	1-1/2" x 1-1/2" Angle .125	AN-3	21'3"	Clear	\$ 67
				Bronze	\$ 83
	3/4" x 3/4" x 3/4" Channel .125	CH-3	21'3"	Clear	\$ 47
				Bronze	\$ 58
	1" x 1" x 1" Channel .125	CH-13	21'3"	Clear	\$ 64
				Bronze	\$ 80
	1-3/4" x 1-3/4" Tube	F-9	24' 2"	Clear	\$ 156
				Bronze	\$ 170
	3/4" x 4-1/2" Tube	F-76	21'2"	Clear	\$ 300
				Bronze	\$ 308
	1-3/4" x 4" Tube	F-1	24' 2"	Clear	\$ 262
				Bronze	\$ 286
	1-3/4" x 4-1/2" Tube	F-16	24' 2"	Clear	\$ 286
				Bronze	\$ 312
	1/2" x 1/2" x 1/2" Pre-Punched Stop .125 (countersunk punched 12" O.C.)	S-4	24' 2"	Clear	\$ 25
				Bronze	\$ 32






Head Receptor & Division Bar

PART DRAWING	PART DESCRIPTION	PART NUMBER	LENGTH PCS/BOX	FINISH	LIST PRICE
	4" Head Receptor	MO-242	24'	Clear	\$ 138
				Bronze	\$ 163
	4-1/2" Head Receptor	MO-243	24'	Clear	\$ 147
				Bronze	\$ 173
	Head Receptor Face	MO-244	24'	Clear	\$ 87
				Bronze	\$ 102
	Spacer Gasket for Expansion Mullion & Head Receptors	V-11	300' Roll		\$ 33
	1-3/4" x 9/16" Division Bar Face (with Vinyl)	FC-1	24' 2"	Clear	\$ 87
				Bronze	\$ 123
	Division Bar Back (punched 12" O.C.)	DB-2H	24' 2"	Clear	\$ 146
				Bronze	\$ 197
	1/4-20 x 2-1/2 Truss Phillips Head (assembles FC-1 & DB-2H)	FS-18	25/bag	Clear	\$ 8
				Bronze	\$ 22

Sash

PART DRAWING	PART DESCRIPTION	PART NUMBER	LENGTH PCS/BOX	FINISH	LIST PRICE
	1-1/16" High Clip Sash	S-49	24' 2"	Clear	\$ 48
				Bronze	\$ 60
	Clip Sash Face for S-49	S-50	24' 2"	Clear	\$ 22
				Bronze	\$ 29
	Spring Clip for S-49	SC-10	25/bag		\$ 8.00
	S-53 Sash for 1/4" glass using FG1133 gasket	S-53	24' 2"	Clear	\$ 60
				Bronze	\$ 73
	S-52 Sash Face for 1/4" of 1" glass using FG1133 gasket	S-52	24' 2"	Clear	\$ 38
				Bronze	\$ 46

Screws, Gasket & Setting Blocks

PART DRAWING	PART DESCRIPTION	PART NUMBER	LENGTH PCS/BOX	FINISH	LIST PRICE
	#14 x 1" H.H.S.T.S. FG Assembly Screw	FS-8	100/box		\$ 18
	1/4" Glazing Gasket	FG 1133	300' Roll		\$ 110
	3/8" Glazing Gasket	FG 1134	300' Roll		\$ 110
	Standard Setting Block for Series 1000 & 2000	FG 1136	100/box		\$ 36
	Setting Block for FG 3142 & FG 3161	FG 3146	100/box		\$ 118

Aluminum Doors & Storefront Systems

Doors & Frames, Extrusions, Hardware, Vinyl & Accessories



Accessories

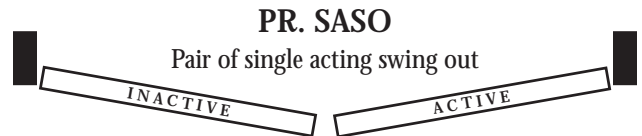
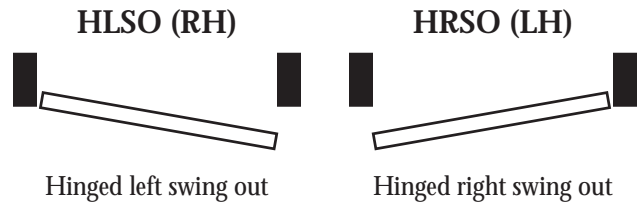
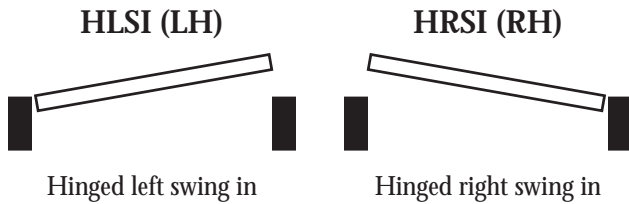
PART DRAWING	PART DESCRIPTION	PART NUMBER	LENGTH PCS/BOX	LIST PRICE
	1/4" Water Diverter for Horizontals	FG-1000-FP-1	50/box	\$ 42
	1" Water Diverter for Horizontals	FG-1000-FP-4/5	50/box	\$ 42
	1/8" x 1/2" Joint Tape	SM-5601	30' Roll	\$ 12
	Shear Block for FG-1104 Horizontal (screws included)	AC-100-1	Each	\$ 2
	Shear Block for FG-2104 Horizontal (screws included)	AC-101-1	Each	\$ 2
	Shear Block for Head Member (screws included)	AC-103-1	Each	\$ 2
	Shear Block for FG-3103 Horizontal (screws included)	AC-108-1	Each	\$ 2
	Shear Block for FG-3142 & FG-3161 (screws included)	AC-119-1	Each	\$ 2
	Certi Magic Aluminum Cleaner	Certi Magic	32 oz.	\$ 25

• Prices subject to change without notice. •

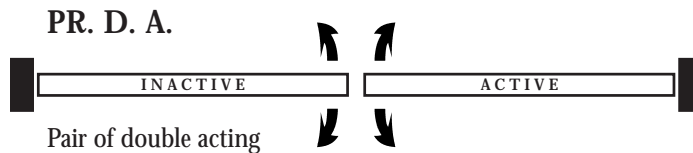
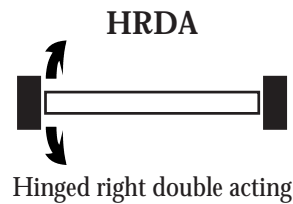
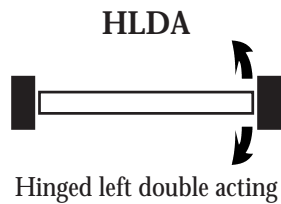
Door Ordering Information

When ordering entrance doors, **determine the swing by viewing the door from the outside** then use the abbreviations given below for the correct identification.

A bbreviations for Offset Hung Doors



A bbreviations for Center Hung Doors



Glass Sizes

Glass sizes are based on Vistawall standard top and bottom rails. However, certain conditions and/or hardware may require a top or bottom rail with greater face width which directly affects the glass size. Contact your customer service representative or check the shop drawing before ordering glass for doors using special hardware.

Glass Sizing for Standard Doors

Narrow Stile		Medium Stile		Wide Stile	
3684 or 7284	31-1/8" x 76-1/2"	3684 or 7284	27-7/8" x 71-3/4"	3684 or 7284	25-3/8" x 70-3/4"

Glass Sizing for Special Size Doors with Standard Rails

Narrow Stile

Height = Height of door opening minus (-) 7-1/2"

Width (single) = Width of door opening minus (-) 4-7/8"

Width (pair) = Width of door opening divided (÷) by 2, minus (-) 4-7/8"

Medium Stile

Height = Height of door opening minus (-) 12-1/4"

Width (single) = Width of door opening minus (-) 8-1/8"

Width (pair) = Width of door opening divided (÷) by 2, minus (-) 8-1/8"

Wide Stile

Height = Height of door opening minus (-) 13-1/4"

Width (single) = Width of door opening minus (-) 10-5/8"

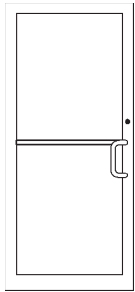
Width (pair) = Width of door opening divided (÷) by 2, minus (-) 10-5/8"

*The standard hardware finish for clear and black doors is clear.
Bronze doors will receive champagne finish push/pulls.*

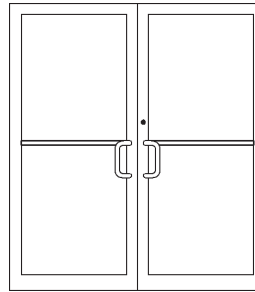
Narrow Stile Entrances & (1-3/4" x 4") Frames

DOOR(S) ONLY

Price includes door with offset pivots, maximum security lock and cylinder, standard ADA pull & push bar.



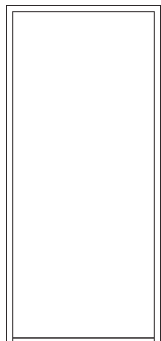
3' 0" x 7' 0" List		
Clear	RH-1744 LH-1840	\$ 433
Bronze	RH-1745 LH-1841	\$ 475
Glass Size: 31-1/8" x 76-1/2"		



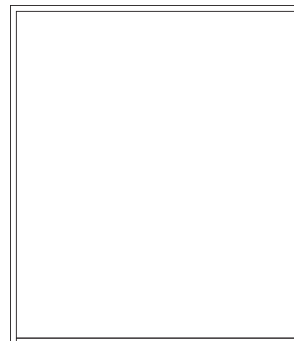
6' 0" x 7' 0" List		
Clear	2847	\$ 866
Bronze	2848	\$ 963
Glass Size: 31-1/8" x 76-1/2"		

FRAME ONLY

Price includes 1-3/4" x 4" open back frame (K.D.) prepared for offset pivots (not included).



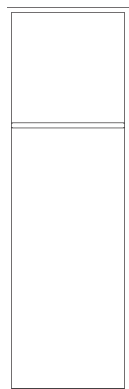
3' 0" x 7' 0" List		
Clear	RH-1753 LH-1852	\$ 184
Bronze	RH-1754 LH-1853	\$ 214
Exact Frame Size: 39-1/2" x 85-3/4"		



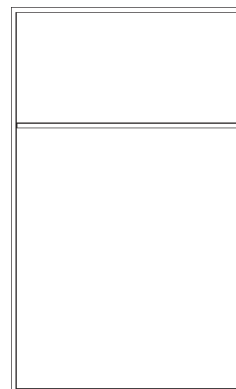
6' 0" x 7' 0" List		
Clear	2856	\$ 228
Bronze	2857	\$ 262
Exact Frame Size: 75-1/2" x 85-3/4"		

TRANSOM FRAME ONLY

Price includes 1-3/4" x 4" open back frame (K.D.) and transom to 10'3" prepared for offset pivots (not included).



3' 0" x 7' 0" List		
Clear	RH-1768 LH-1867	\$ 310
Bronze	RH-1769 LH-1868	\$ 366
Exact Frame Size: 39-1/2" x 125-1/2"		



6' 0" x 7' 0" List		
Clear	2874	\$ 395
Bronze	2875	\$ 464
Exact Frame Size: 75-1/2" x 125-1/2"		

Standard transom height is 125"

A luminum Doors & Storefront Systems

Doors & Frames, Extrusions, Hardware, Vinyl & Accessories

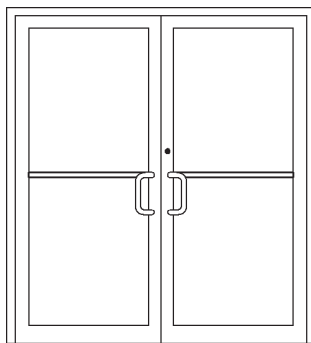
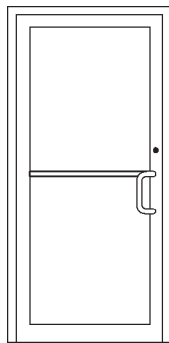


Narrow Stile Doors & 4" Frame Packages

DOOR(S) WITH FRAMES

Price includes door with offset pivots, maximum security lock and cylinder, standard ADA pull & push bar, with 1-3/4" x 4" open back frame (K.D.).

3' 0" x 7' 0" List	
Clear	\$ 617
Bronze	\$ 689
Exact Frame Size: 39-1/2" x 85-3/4"	

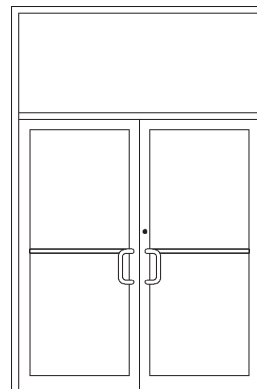
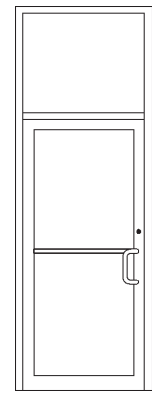


6' 0" x 7' 0" List	
Clear	\$ 1,094
Bronze	\$ 1,225
Exact Frame Size: 75-1/2" x 85-3/4"	

DOOR(S) TRANSOM FRAMES

Price includes door with offset pivots, maximum security lock and cylinder, standard ADA pull & push bar, with 1-3/4" x 4" open back frame and transom to 10'3" (K.D.).

3' 0" x 7' 0" List	
Clear	\$ 743
Bronze	\$ 841
Exact Frame Size: 39-1/2" x 125-1/2"	



6' 0" x 7' 0" List	
Clear	\$ 1,261
Bronze	\$ 1,427
Exact Frame Size: 75-1/2" x 125-1/2"	

Standard transom height is 125"

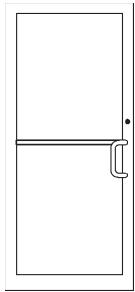
Additional Costs	Clear/Bronze
5/8" Glass stop - add to stock doors	\$88
1" Glass stop - add to stock doors	\$88

• Prices subject to change without notice. •

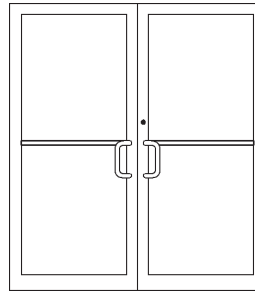
Narrow Stile Entrances & 1-3/4" x 4-1/2" Frames

DOOR(S) ONLY

Price includes door with offset pivots, maximum security lock and cylinder, standard ADA pull & push bar.



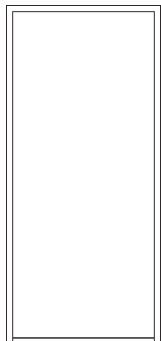
3' 0" x 7' 0" List		
Clear	RH-1744 LH-1840	\$ 433
Bronze	RH-1745 LH-1841	\$ 475
Glass Size: 31-1/8" x 76-1/2"		



6' 0" x 7' 0" List		
Clear	2847	\$ 866
Bronze	2848	\$ 963
Glass Size: 31-1/8" x 76-1/2"		

FRAME ONLY

Price includes 1-3/4" x 4-1/2" open back frame (K.D.) prepared for offset pivots (not included).



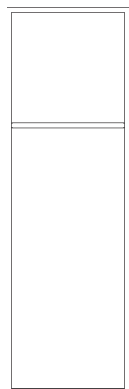
3' 0" x 7' 0" List		
Clear	RH-1750 LH-1849	\$ 192
Bronze	RH-1751 LH-1850	\$ 223
Exact Frame Size: 39-1/2" x 85-3/4"		



6' 0" x 7' 0" List		
Clear	2853	\$ 237
Bronze	2854	\$ 270
Exact Frame Size: 75-1/2" x 85-3/4"		

TRANSOM FRAME ONLY

Price includes 1-3/4" x 4-1/2" open back frame (K.D.) and transom to 10'3" prepared for offset pivots (not included).



3' 0" x 7' 0" List		
Clear	RH-1765 LH-1864	\$ 327
Bronze	RH-1766 LH-1865	\$ 387
Exact Frame Size: 39-1/2" x 125-1/2"		



6' 0" x 7' 0" List		
Clear	2871	\$ 417
Bronze	2872	\$ 491
Exact Frame Size: 75-1/2" x 125-1/2"		

Standard transom height is 125"

A luminum Doors & Storefront Systems

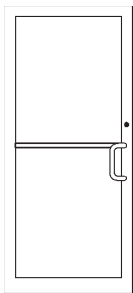
Doors & Frames, Extrusions, Hardware, Vinyl & Accessories



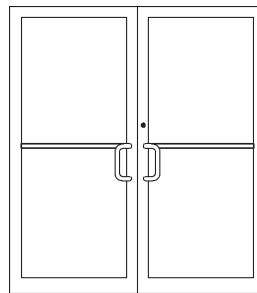
Narrow Stile Entrances & 2" x 4-1/2" Frames

DOOR(S) ONLY

Price includes door with offset pivots, maximum security lock and cylinder, standard ADA pull & push bar.



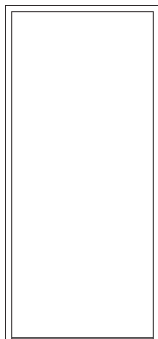
3' 0" x 7' 0" List		
Clear	RH-1744 LH-1840	\$ 433
Bronze	RH-1745 LH-1841	\$ 475
Glass Size: 31-1/8" x 76-1/2"		



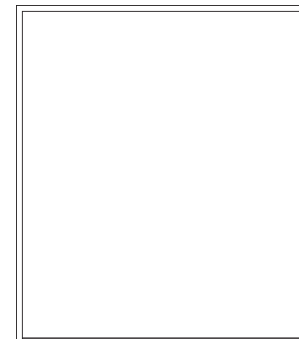
6' 0" x 7' 0" List		
Clear	2847	\$ 866
Bronze	2848	\$ 963
Glass Size: 31-1/8" x 76-1/2"		

FRAME ONLY

Price includes 2" x 4-1/2" open back frame (K.D.) prepared for offset pivots (not included).



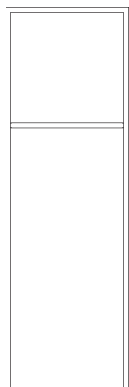
3' 0" x 7' 0" List		
Clear	RH-5803 LH-5813	\$ 239
Bronze	RH-5804 LH-5814	\$ 289
Exact Frame Size: 40" x 86"		



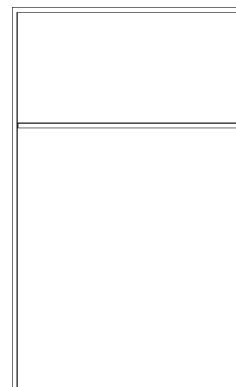
6' 0" x 7' 0" List		
Clear	8536	\$ 319
Bronze	8537	\$ 374
Exact Frame Size: 76" x 86"		

TRANSOM FRAME ONLY

Price includes 2" x 4-1/2" open back frame (K.D.) and transom to 10'3" prepared for offset pivots (not included).



3' 0" x 7' 0" List		
Clear	RH-1763 LH-1862	\$ 360
Bronze	RH-1764 LH-1863	\$ 430
Exact Frame Size: 40" x 125-1/2"		



6' 0" x 7' 0" List		
Clear	2869	\$ 469
Bronze	2870	\$ 558
Exact Frame Size: 76" x 125-1/2"		

Standard transom height is 125"



A luminum Doors & Storefront Systems

Doors & Frames, Extrusions, Hardware, Vinyl & A ccessories

Custom Entrances

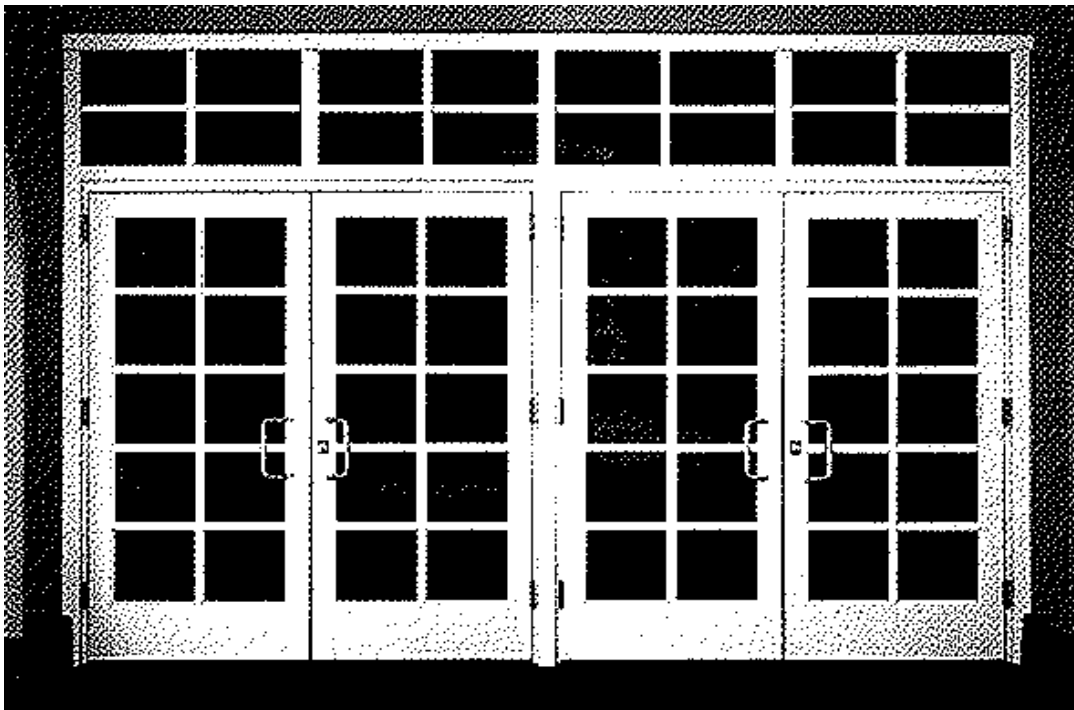
**NARROW , MEDIUM OR WIDE STILE DOORS
WITH A VARIETY OF TOP, MID AND BOTTOM RAILS FROM 4" TO 10"
AND GLAZING OPTIONS OF 1/4", 3/8", 5/8" AND 1"**

AVAILABLE IN VISTAWALL SERIES 1000, 2000 OR 3000 FRAMES

**USING VIRTUALLY ALL HARDWARE. OFFSET PIVOTS, CENTER PIVOTS
CONTINUOUS GEAR HINGES, MS-LOCKS OR EXIT DEVICES WITH
A WIDE SELECTION OF PUSH/PULLS**

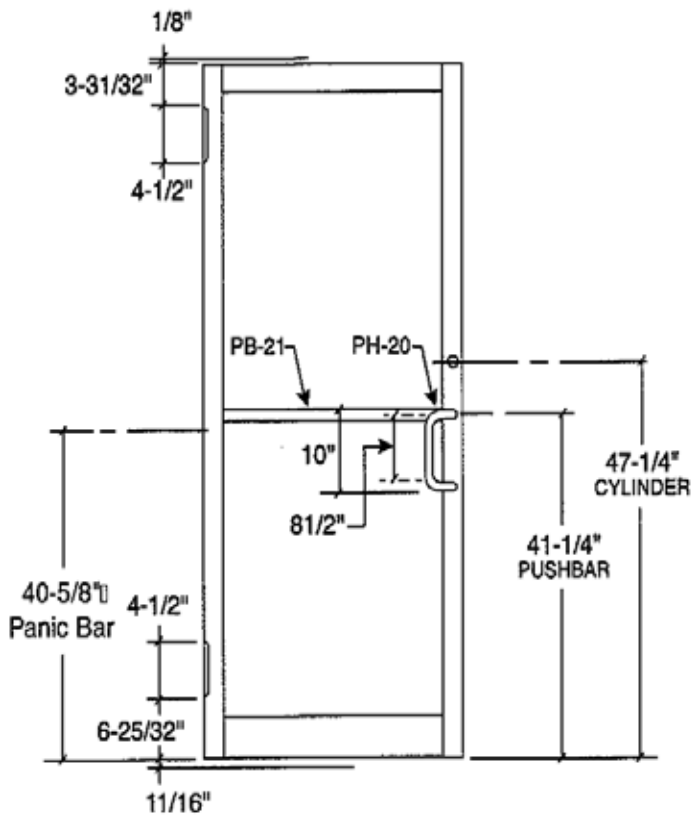
CUSTOM FABRICATION FOR EACH INDIVIDUAL JOB

FOR MORE INFORMATION AND PRICING CALL CRAFTSMAN

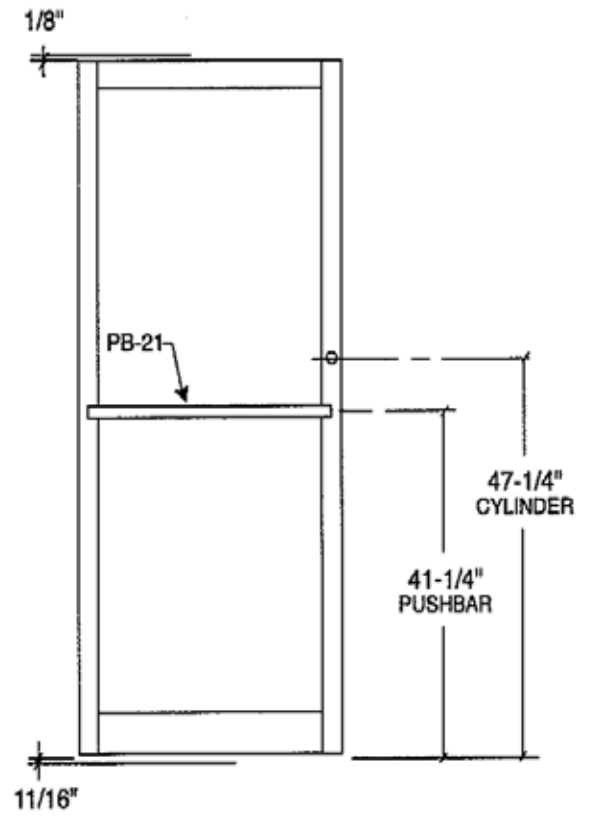


A DA Compliance Specifications

Central & Eastern Region Hardware Locations



SINGLE ACTING DOORS



DOUBLE ACTING DOORS

Door Hardware & Accessories









Closer Hardware

PART DRAWING	PART DESCRIPTION	PART NUMBER	FINISH	LIST PRICE
	Dorma Surface Mounted Closer	7204	Clear / Bronze	\$ 56
	Surface Mounted Closer Dorma (for ADA compliance)	7436	Clear / Bronze	\$ 90
	Dorma DP73 Drop Plate for 7204 Dorma DP74 Drop Plate for 7436	# DP 73 or 74	Clear / Bronze	\$ 26
	International Jackson COHC (Body Only) - Adjustable Tension	#105-NHO		\$ 224
	End Load Arm	ELA-1		\$ 34
	Side Load Arm	SLA-1		\$ 34
	Slide Arm Assembly	#1077		\$ 70

Important Note: Listed prices are for product only, fabrication is extra. Please ask for quote.

Door Hardware & A ccessories

Pivot Hardware








PART DRAWING	PART DESCRIPTION	PART NUMBER	FINISH	LIST PRICE
	Bottom Center Pivot	#20-728		\$ 40
	Vistawall Offset Pivot Set (designate Left or Right hand)	#OP-L/R	Clear / Bronze	\$ 96
	PPG / Amerlite Offset Pivot Set (designate Left or Right hand)	#J-40 L/R	Clear / Bronze	\$ 37
	Intermediate Offset Pivot (designate Left or Right hand)	#J-190 L/R	Clear / Bronze	\$ 100
	4-1/2" x 4" Butt Hinge (with Screws)	#P092	Clear	\$ 12
	Door Back Up Plate for Butts	#951	Mill	\$ 4
	Frame/Door Back Up Plate	#795	Mill	\$ 4
	Pemko Continuous Gear Hinge CALL FOR PRICING	FM95SLI	Clear / Bronze	

Important Note: Listed prices are for product only, fabrication is extra. Please ask for quote.

• Prices subject to change without notice. •

Door Hardware & Accessories





Lock & Lock Accessories

PART DRAWING	PART DESCRIPTION	PART NUMBER	FINISH	LIST PRICE
	Long Throw Lock	#1420		\$ 44
	Short Throw Lock	#1422		\$ 44
	Hook Bolt Lock	#1424		\$ 44
	Latch Lock	#1421		\$ 64
	Lever Handle	#P-348	Clear / Bronze	\$ 76
	Latch Paddle	#P-1008	Clear / Bronze	\$ 116
	Beveled Face Plate	#1409	Clear / Bronze	\$ 4
	Electric Strike	#1580		\$ 180
	Flush Bolts	#059	Clear Bronze	\$ 16 \$ 20

Important Note: Listed prices are for product only, fabrication is extra. Please ask for quote.

Door Hardware & Accessories

Lock & Lock Accessories

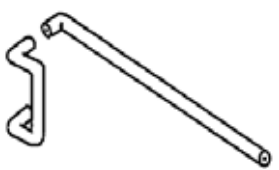





PART DRAWING	PART DESCRIPTION	PART NUMBER	FINISH	LIST PRICE
	Mortised Cylinder (Pair)	#P-572	Clear / Bronze	\$ 32
	Rim Cylinder	#P-573	Clear / Bronze	\$ 32
	Dummy Cylinder	#DC-1	Clear / Bronze	\$ 16
	Thumbturn	#TT-1	Clear / Bronze	\$ 20

Important Note: Listed prices are for product only, fabrication is extra. Please ask for quote.

• Prices subject to change without notice. •

Door Hardware & A ccessories







Push/Pull & Panic Hardware

PART DRAWING	ITEM NUMBER	PART DESCRIPTION	PART NUMBER	FINISH	LIST PRICE
 (8-1/2" C. to C. 2-1/4" projection, 1" dia., back-to-back mounting, includes mounting kit)	PH-20/ PB-21	Offset Aluminum Pull w/ Straight Aluminum Push Bar for 36" Doors	12618	Clear	\$ 104
			12619	Champagne	\$ 116
	PH-20/ PB-21	Offset Aluminum Pull w/ Straight Aluminum Push Bar for 42" Doors	12620	Clear	\$ 108
			12621	Champagne	\$ 112
	PH-20/ PB-21	Offset Aluminum Pull w/ Straight Aluminum Push Bar for 48" Doors	12622	Clear	\$ 120
			12623	Champagne	\$ 128
	PH-21 TB	Offset Alum. Pull for Panic Doors Only (2-1/4" projection, 1" dia., 8-1/2" C. to C., back-to-back mounting, includes mounting kit)	12368	Clear 36"	\$ 56
			12369	Champagne	\$ 60
	International - Flat Touch Bar Concealed Vertical Rod Panic		7100	Clear Bronze	\$ 400
	International - Flat Touch Bar Rim Panic		7300	Clear Bronze	\$ 400
	International - Crash Bar Concealed Vertical Rod Panic		6100	Clear Bronze	\$ 300
	International - Crash Bar Rim Panic		6300	Clear Bronze	\$ 300

Important Note: Listed prices are for product only, fabrication is extra. Please ask for quote.

Door Hardware & A ccessories

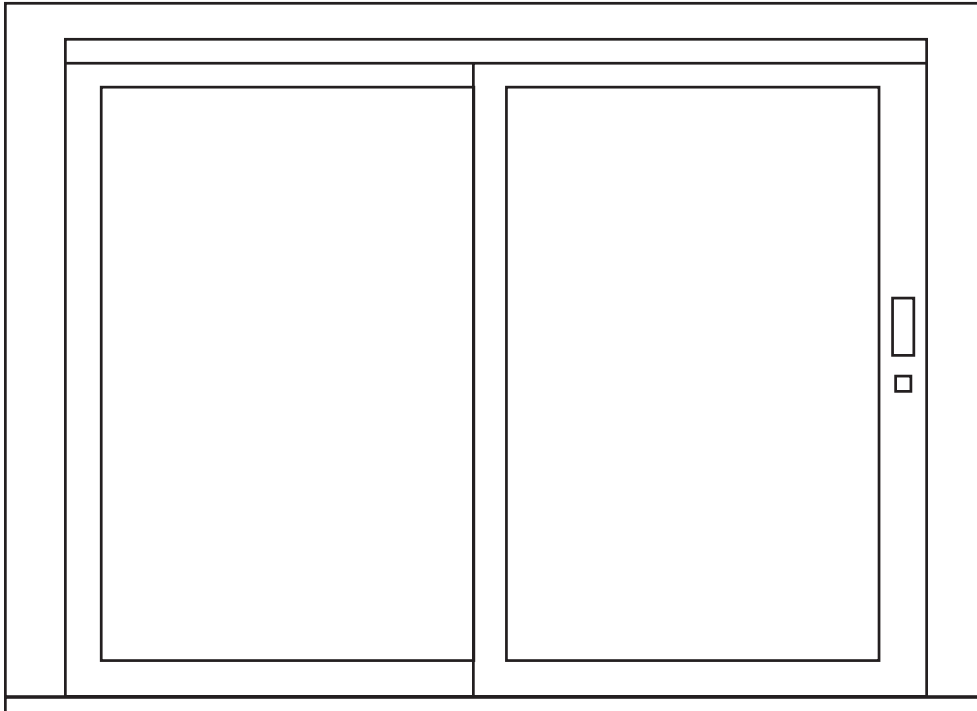
Miscellaneous Items

PART DRAWING	PART DESCRIPTION	PART NUMBER	LENGTH PCS/BOX	FINISH	LIST PRICE
	Door Sweep with Felt	#V-231	42"	Clear	\$ 26
				Bronze	\$ 28
	1/2" x 4" Threshold	TH-43	18' 4"	Mill	\$ 90
	1/2" x 7" Threshold	TH-7	18' 4"	Mill	\$ 192
	Bulb Weatherstrip (door glass stop for 1/4" glass)	#V-28	Per foot		\$ 1
	Pile Weatherstrip (door stop)	WP084	Per foot		\$ 1
	Weatherseal (meeting stile astragal)	WP085	Per foot		\$ 1

Important Note: Listed prices are for product only, fabrication is extra. Please ask for quote.

• Prices subject to change without notice. •

Commercial Sliding Windows



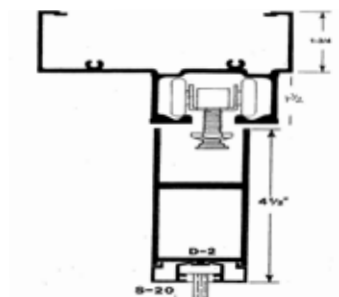
Up to 48" x 48" Bi-Pass Sliding Window

\$ 604.00 Clear (Unglazed)

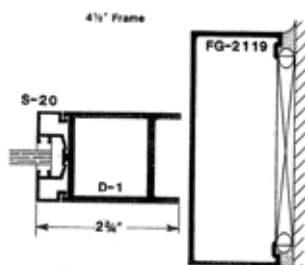
\$ 652.00 Bronze (Unglazed)

Custom sizes and glazed units available. Please call for quote.

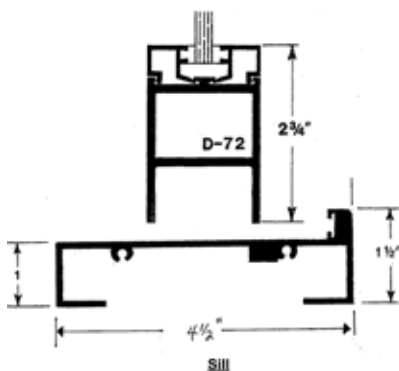
Commercial Sliding Windows



Detail of Header



Detail of Jamb



Detail of Sill

